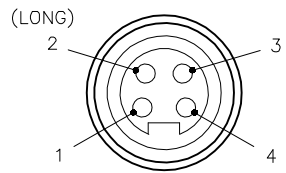

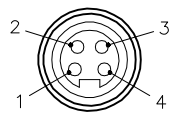

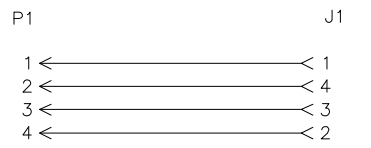
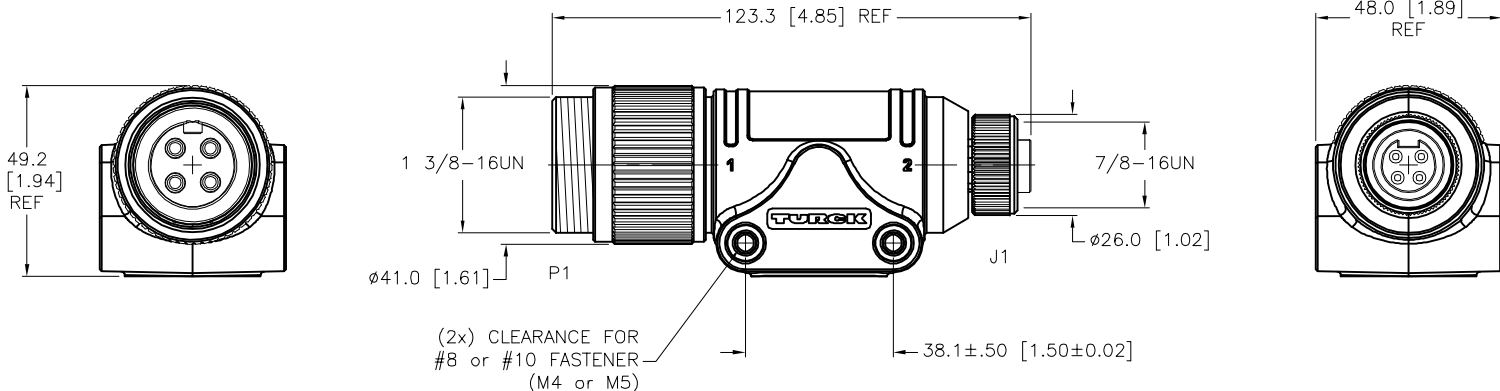
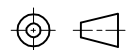


MALE END VIEW (P1)	FEMALE END VIEW (J1)	WIRING DIAGRAM	SPECIFICATIONS	
 	 		CONTACT CARRIER MATERIAL	PVC
			MOLDED HEAD MATERIAL/COLOR	PVC/BLACK
			CONTACT MATERIAL/PLATING	BRASS or COPPER/GOLD
			COUPLING NUT MATERIAL/PLATING	BRASS/NICKEL
			RATED CURRENT [A]	18.0 A
			RATED VOLTAGE [V]	600 V
			TEMPERATURE RANGE	-40°C to +90°C (-40°F to +194°F)
			APPROVALS AND CERTIFICATIONS	UL 2237, UL 2238, CE



SOURCE DRAWING - FOR REFERENCE ONLY

**CAUTION:**  
RISK OF ELECTRICAL SHOCK  
DO NOT DISCONNECT UNDER LOAD

RELATED DOCUMENTS 1. 2. 3. 4.	3RD ANGLE PROJECTION 	THIS DRAWING IS CONFIDENTIAL AND THE PROPERTY OF TURCK INC. USE OF THIS DOCUMENT WITHOUT WRITTEN PERMISSION IS PROHIBITED.		3000 CAMPUS DRIVE MINNEAPOLIS, MN 55441 1-800-544-7769 (763) 553-7300 (763) 553-0708 fax www.turck.us	
MATERIAL  SEE SPECIFICATIONS	ALL DIMENSIONS DISPLAYED ON THIS DRAWING ARE FOR REFERENCE ONLY	DRFT RWC DATE 07/17/09 APVD SCALE 1=2.0	DESCRIPTION GSDM RKM 44-0		
FINISH  SEE SPECIFICATIONS	CONTACT TURCK FOR MORE INFORMATION	UNIT OF MEASUREMENT <b>MILLIMETER [ INCH ]</b>  DO NOT SCALE THIS DRAWING		IDENTIFICATION NO. U2-14806	REV F
F UPDATE RATED CURRENT RDS 04/24/19 69358	BY DATE ECO NO.	FILE: U2-14806		SHEET 1 OF 1	